

**ACCESS SERVICE TARIFF
P.U.C.O. No. 2**

**COMCAST PHONE
OF OHIO, LLC**

SECTION 3
1st Revised Sheet 1
Cancels Original Sheet 1

3. SWITCHED ACCESS SERVICE

3.1. GENERAL

Switched Access Service provides a physical or logical transmission path for the routing, transport, origination and/or termination of Customer traffic between End Users and a third-party's access tandem by utilizing the services, facilities or equipment owned or controlled through contract or other means, by the Company.

This section of the Tariff does not preclude carriers from negotiating different rates, terms and conditions governing reciprocal compensation for toll VoIP-PSTN traffic.

This Tariff does not supersede rates, term and conditions governing reciprocal compensation for toll VoIP-PSTN traffic in existing interconnection agreements.

Rates, terms and conditions governing reciprocal compensation for toll VoIP-PSTN traffic in this Tariff apply prospectively.

3.2. TRAFFIC TYPE DESIGNATION

The Company affirms that all of its Ohio traffic either originates from or terminates to a VoIP end user and is therefore, VoIP-PSTN. The Company shall keep its call records for at least 18 months and the Customer may audit such records at the Customer's expense.

(C)

(C)

(N)

(N)

(T)

(N)

(N)

(D)

(D)

ISSUED: December 14, 2011

EFFECTIVE: January 14, 2012

Filed under authority of Entry issued by the Public Utilities Commission of Ohio,
in Case No. 11-5952-TP-ATA

By: David Lloyd, Director – Tariffs, Englewood, Colorado

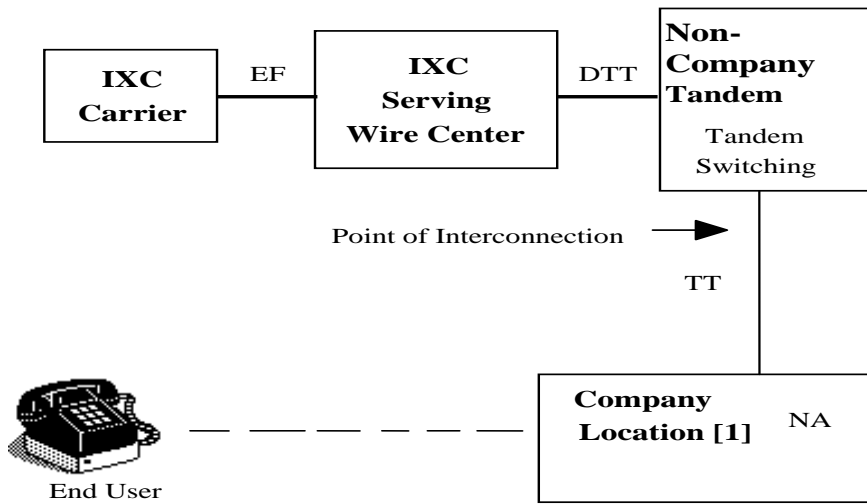
3. SWITCHED ACCESS SERVICE

3.3. SWITCHED ACCESS RATE CATEGORIES

The rate categories that apply to Switched Access Service provided by the Company are as follows:

- Tandem Transport
- Network Access

The following diagram depicts a generic view of the components of Switched Access Service and the manner in which the components are combined to provide a complete access service.



Company does not bill:
EF - Entrance Facility
DTT - Direct Trunk Transport
Tandem Switching

Company bills:
TT - Tandem Transport
NA - Network Access

Switched Access rates are as set forth in Section 3.4, following.

[1] Company End Office, Trunk Gateway or functional equivalent (e.g. media gateway, soft switch).

**ACCESS SERVICE TARIFF
P.U.C.O. No. 2**

**COMCAST PHONE
OF OHIO, LLC**

SECTION 3
2nd Revised Sheet 3
Cancels 1st Revised Sheet 3

3. SWITCHED ACCESS SERVICE

3.3. SWITCHED ACCESS RATE CATEGORIES (CONT'D)

3.3.1. [RESERVED FOR FUTURE USE]

(T)

(D)

(D)

ISSUED: December 14, 2011

EFFECTIVE: January 14, 2012

Filed under authority of Entry issued by the Public Utilities Commission of Ohio,
in Case No. 11-5952-TP-ATA

By: David Lloyd, Director – Tariffs, Englewood, Colorado

**ACCESS SERVICE TARIFF
P.U.C.O. No. 2**

**COMCAST PHONE
OF OHIO, LLC**

SECTION 3
2nd Revised Sheet 4
Cancels 1st Revised Sheet 4

3. SWITCHED ACCESS SERVICE

3.3. SWITCHED ACCESS RATE CATEGORIES (CONT'D)

3.3.2. TANDEM TRANSPORT

The Tandem Transport rate category provides for the transmission between a third-party access tandem and the Company's End Office, Trunk Gateway, or functionally equivalent location (e.g. media gateway, soft switch). Rate elements include:

A. Transport Termination

The Transport Termination element includes the non-distance sensitive portion of Tandem Transport and is assessed on a per-access-minute-of-use basis.

B. Transport Mileage

The Transport Mileage element includes the distance sensitive portion of Tandem Transport and is assessed on a per-access-minute-of-use-per-mile basis. Transport Mileage will be calculated based on the airline mileage between a third-party access tandem and the Company's End Office, Trunk Gateway, or functionally equivalent location (e.g. media gateway, soft switch) within the applicable LATA.

ISSUED: December 14, 2011

EFFECTIVE: January 14, 2012

Filed under authority of Entry issued by the Public Utilities Commission of Ohio,
in Case No. 11-5952-TP-ATA

By: David Lloyd, Director – Tariffs, Englewood, Colorado

**ACCESS SERVICE TARIFF
P.U.C.O. No. 2**

**COMCAST PHONE
OF OHIO, LLC**

SECTION 3
1st Revised Sheet 5
Cancels Original Sheet 5

3. SWITCHED ACCESS SERVICE

3.3. SWITCHED ACCESS RATE CATEGORIES (CONT'D)

3.3.2. TANDEM TRANSPORT (CONT'D)

(T)

(D)

(D)

ISSUED: December 14, 2011

EFFECTIVE: January 14, 2012

Filed under authority of Entry issued by the Public Utilities Commission of Ohio,
in Case No. 11-5952-TP-ATA

By: David Lloyd, Director – Tariffs, Englewood, Colorado

OH11-006

**ACCESS SERVICE TARIFF
P.U.C.O. No. 2**

**COMCAST PHONE
OF OHIO, LLC**

SECTION 3
1st Revised Sheet 6
Cancels Original Sheet 6

3. SWITCHED ACCESS SERVICE

3.3. SWITCHED ACCESS RATE CATEGORIES (CONT'D)

3.3.3. NETWORK ACCESS

Network Access provides the functional equivalent of traditional end office switching. It consists of the following elements: Network Switching and Common Trunk Port.

A. Network Switching

Network Switching provides for (a) the establishment of a call path for the routing of Customer communications from the Company's End Office, Trunk Gateway, or functionally equivalent location to a Company End User and (b) the establishment of a call path for the routing of communications originating from a Company End User for delivery to the Company's End Office, Trunk Gateway, or functionally equivalent location (e.g. media gateways, soft switches).

The "establishment" of call path and routing is achieved through equipment and facilities, including, in some cases, a soft switch or similar equipment, owned or controlled through contract or other means, by the Company, which allows for the routing of voice communications between the Company's Trunk Gateway Location and End Users via SS7 signaling based on telephone numbers obtained by the Company and assigned to End Users as set forth in the LERG.

B. Common Trunk Port

Common Trunk Port provides for the termination of tandem transport trunks in shared ports at the Company's End Office, Trunk Gateway, or functionally equivalent location (e.g. media gateways, soft switches). The Common Trunk Port rate is assessed on a per-MOU basis to all trunkside originating and terminating access minutes routed to the Company via a third party access tandem.

ISSUED: December 14, 2011

EFFECTIVE: January 14, 2012

Filed under authority of Entry issued by the Public Utilities Commission of Ohio,
in Case No. 11-5952-TP-ATA

By: David Lloyd, Director – Tariffs, Englewood, Colorado

(T)
(C)
(C)
(T)
(C)
(C)
(C)
(D)
(D)

**ACCESS SERVICE TARIFF
P.U.C.O. No. 2**

**COMCAST PHONE
OF OHIO, LLC**

SECTION 3
4th Revised Sheet 7
Cancels 3rd Revised Sheet 7

3. SWITCHED ACCESS SERVICE

3.3. SWITCHED ACCESS RATE CATEGORIES (CONT'D)

3.3.4. 8XX TOLL-FREE ACCESS SERVICE

All appropriate Switched Access rate elements (Tandem Transport, Network Access) apply to 8XX Toll-Free Access Service. (N)
(N)

8XX Toll-Free Access Service is an originating access service offering. The service provides for the forwarding of end user dialed 8XX calls to a Company Service Switching Point, which will initiate a query to the database for the customer identification and delivery of the call. The call is forwarded to the appropriate customer based on the dialed 8XX number. Records exchange, rating and billing for Toll Free Data Base Access Service is subject to the provisions of the Multiple Exchange Carrier Access Billing Guidelines (MECAB). (T)
(C)

A. Customer Identification Charge

The 8XX Toll-Free Access Service Customer Identification Charge applies for the identification of and delivery of 8XX calls to the appropriate customer. The charge is assessed to the Customer on a per query basis and may include an area of service which may range from a single NPA-NXX to an area consisting of all LATAs and NPAs within the state. The 8XX Customer Identification Charge is set forth in Section 3.4.5. (T)
(T)

ISSUED: December 14, 2011

EFFECTIVE: January 14, 2012

Filed under authority of Entry issued by the Public Utilities Commission of Ohio,
in Case No. 11-5952-TP-ATA

By: David Lloyd, Director – Tariffs, Englewood, Colorado

**ACCESS SERVICE TARIFF
P.U.C.O. No. 2**

**COMCAST PHONE
OF OHIO, LLC**

**SECTION 3
4th Revised Sheet 8
Cancels 3rd Revised Sheet 8**

3. SWITCHED ACCESS SERVICE

3.4. SWITCHED ACCESS RATES AND CHARGES

3.4.1. SERVICE IMPLEMENTATION

**NONRECURRING
CHARGE**

A. Installation Charge,
Per Location, Per Order

- | | | |
|--------------------------|--------|--|
| 1. First Trunk | \$0.00 | |
| 2. Each Subsequent Trunk | 0.00 | |

3.4.2. [RESERVED FOR FUTURE USE]

**RECURRING RATE
PER MOU**

3.4.3. TANDEM TRANSPORT

- | | | |
|--------------------------------|-----|-----|
| A. Transport Termination | [1] | (C) |
| B. Transport Mileage, per mile | [1] | (C) |

[1] Switched access rates are billed at the Company's tariffed interstate rates as found in Comcast Phone, LLC Tariff FCC No. 1 which may be viewed at www.comcast.com/tariffs.

(N)
|
(N)

ISSUED: April 28, 2014

EFFECTIVE: May 28, 2014

Filed under authority of Entry issued by the Public Utilities Commission of Ohio,
in Case No. 14-0770-TP-ATA

By: David Lloyd, Director – Tariffs, Englewood, Colorado

**ACCESS SERVICE TARIFF
P.U.C.O. No. 2**

**COMCAST PHONE
OF OHIO, LLC**

SECTION 3
2nd Revised Sheet 9
Cancels 1st Revised Sheet 9

3. SWITCHED ACCESS SERVICE

3.4. SWITCHED ACCESS RATES AND CHARGES (CONT'D)

3.4.3. TANDEM TRANSPORT (CONT'D)

(T)

(D)

(D)

ISSUED: December 14, 2011

EFFECTIVE: January 14, 2012

Filed under authority of Entry issued by the Public Utilities Commission of Ohio,
in Case No. 11-5952-TP-ATA

By: David Lloyd, Director – Tariffs, Englewood, Colorado

OH11-006

**ACCESS SERVICE TARIFF
P.U.C.O. No. 2**

**COMCAST PHONE
OF OHIO, LLC**

SECTION 3
7th Revised Sheet 10
Cancels 6th Revised Sheet 10

3. SWITCHED ACCESS SERVICE

3.4. SWITCHED ACCESS RATES AND CHARGES (CONT'D)

3.4.4. NETWORK ACCESS

A. Network Switching	RECURRING RATE PER MOU	
1. Originating Access	[1]	(C)
2. Terminating Access	[1]	(C)
3. Common Trunk Port	[1]	(C)

3.4.5. 8XX TOLL-FREE ACCESS

A. Customer Identification Charge	RECURRING RATE PER QUERY	
	[1]	(C)

[1] Switched access rates are billed at the Company's tariffed interstate rates as found in Comcast Phone, LLC Tariff FCC No. 1 which may be viewed at www.comcast.com/tariffs.

(N)
|
(N)

ISSUED: April 28, 2014

EFFECTIVE: May 28, 2014

Filed under authority of Entry issued by the Public Utilities Commission of Ohio,
in Case No.14-0770-TP-ATA

By: David Lloyd, Director – Tariffs, Englewood, Colorado